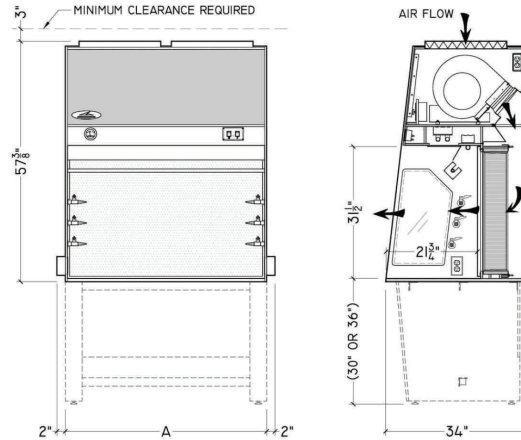




# LAMINAR FLOW CLEAN BENCH—HORIZONTAL 115V

## STANDARD FEATURES

- Provides better than ISO 5 (CLASS 100) conditions
- HEPA filter rated 99.99% efficient at 0.3 microns
- Constructed from corrosion resistant seam welded white polypropylene
- Fluorescent light fixture complete with on/off switch
- Variable speed motors complete with on/off switch
- Uniform airflow across filter face
- Minihelic gauge monitors load on HEPA filter



Model	Dimension "A"	Work Zone Dimensions WxDxH	BTU/hr	Electrical
<input type="checkbox"/> LHH-3	36" (914)	35" x 31" x 29 1/4" (889x787x743)	2,987	7.61A, 115V, 50/60Hz
<input type="checkbox"/> LHH-4	48" (1219)	47" x 31" x 29 1/4" (1194x787x743)	3,058	7.79A, 115V, 50/60Hz
<input type="checkbox"/> LHH-5	60" (1524)	59" x 31" x 29 1/4" (1499x787x743)	3,058	7.79A, 115V, 50/60Hz
<input type="checkbox"/> LHH-6	72" (1829)	71" x 31" x 29 1/4" (1803x787x743)	3,058	7.79A, 115V, 50/60Hz
<input type="checkbox"/> LHH-8	96" (1905)	95" x 31" x 29 1/4" (2413x787x743)	3,250	8.28A, 115V, 50/60Hz

Amps listed do not include duplex outlets, UV fixture or hydraulic base options

## AVAILABLE OPTIONAL ACCESSORIES

### Base Frames

- No base (standard)
- 30" sitting height complete with leg levellers
- 36" standing height complete with leg levellers
- Casters to form mobile base
- Hydraulic base package

### Optional Accessories

- Stainless steel IV bar complete with Qty. 2 IV hooks
- Stainless steel side panels
- UV light fixture complete with on/off switch
- ULPA filter 99.9995% efficient at 0.12 microns in lieu of HEPA filter
- Service valve on side panel  L  R Type: \_\_\_\_\_
- Pass-thru grommet on side panel  L  R

### GFI Duplex Outlet

- Left Side      Right Side
- Side panel
  - Side panel

### Work Surface

- White polypropylene
- Stainless steel

Comments/Notes:

Customer Signature \_\_\_\_\_

Date \_\_\_\_\_