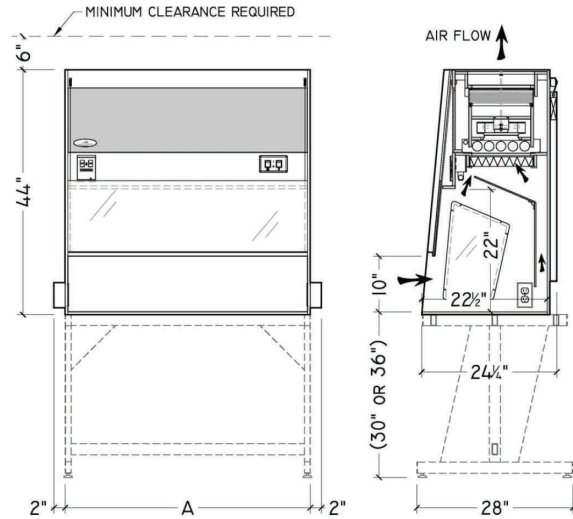




# EXTRACTION HOOD—CLASS 1 115V

## STANDARD FEATURES

- Protects the operator and environment from harmful contaminants
- HEPA filter rated 99.99% efficient at 0.3 microns
- Constructed from corrosion resistant seam welded white polypropylene
- Fluorescent light fixture
- On/Off switches for lights and fans
- Vertical rising face shield
- Pass-thru grommet located on left side panel



Model	Dimension "A"	Work Zone Dimensions WxDxH	BTU/hr	Electrical
<input type="checkbox"/> EXT-3	32" (813)	31" x 22 1/2" x 22" (787x572x559)	498	1.27A, 115V, 50/60Hz
<input type="checkbox"/> EXT-4	44" (1118)	43" x 22 1/2" x 22" (1092x572x559)	513	1.31A, 115V, 50/60Hz
<input type="checkbox"/> EXT-6	68" (1727)	67" x 22 1/2" x 22" (1702x572x559)	952	2.43A, 115V, 50/60Hz

Amps listed do not include duplex outlets or UV fixture

## AVAILABLE OPTIONAL ACCESSORIES

### Base Frames

- No base
- 30" sitting height complete with leg levellers
- 33 1/2" sitting height complete with casters
- 36" standing height complete with leg levellers
- 39 1/2" standing height complete with casters

### Work Surface

- White polypropylene
- Stainless steel

### Collar Connections

- 8" connection
- 10" connection
- 12" connection
- Custom—see notes

### GFI Duplex Outlet

Left Side

Right Side

- Side panel
- Side panel

### Optional Accessories

- Stainless steel back and side panels
- Low flow alarm package monitors face velocity
- UV light fixture complete with on/off switch
- ULPA filter 99.9995% efficient at 0.12 microns in lieu of HEPA filter
- Rear baffle
- Additional pass-thru grommet on right side panel
- Service valve on side panel  L  R Type: \_\_\_\_\_

Comments/Notes:

Customer Signature \_\_\_\_\_

Date \_\_\_\_\_