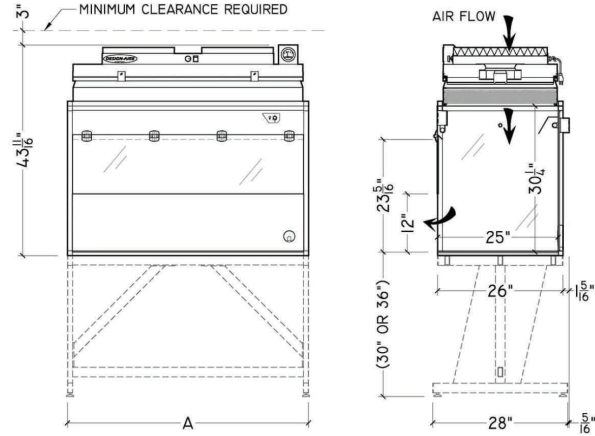




CLEAN AIR WORKSTATION—VERTICAL 230V

STANDARD FEATURES

- Provides better than ISO 5 conditions
- HEPA filter rated 99.99% efficient at 0.3 microns
- Constructed white polypropylene and clear acrylic panels set into an anodized aluminum frame
- Fluorescent light fixture complete with on/off switch
- Variable speed motors complete with on/off switch
- Uniform airflow across filter face
- Pass-thru grommets on rear panel



Model	Dimension "A"	Work Zone Dimensions WxDxH	BTU/hr	Electrical
<input type="checkbox"/> CAW2-2	26" (660)	24" x 25" x 30 1/4" (610x635x768)	526	0.67A, 230V, 50/60Hz
<input type="checkbox"/> CAW3-2	38" (965)	36" x 25" x 30 1/4" (914x635x768)	973	1.24A, 230V, 50/60Hz
<input type="checkbox"/> CAW4-2	50" (1270)	48" x 25" x 30 1/4" (1219x635x768)	973	1.24A, 230V, 50/60Hz
<input type="checkbox"/> CAW5-2	62" (1575)	60" x 25" x 30 1/4" (1524x635x768)	1,484	1.89A, 230V, 50/60Hz
<input type="checkbox"/> CAW6-2	75" (1905)	73" x 25" x 30 1/4" (1854x635x768)	1,915	2.44A, 230V, 50/60Hz
<input type="checkbox"/> CAW8-2	99" (2515)	97" x 25" x 30 1/4" (2464x635x768)	1,915	2.44A, 230V, 50/60Hz

Amps listed do not include optional duplex outlets or UV fixtures

AVAILABLE OPTIONAL ACCESSORIES

Base Frames

- No base (standard)
- 30" sitting height complete with leg levellers
- 33 1/2" sitting height complete with casters
- 36" standing height complete with leg levellers
- 39 1/2" standing height complete with casters

Optional Accessories

- Stainless steel IV bar complete with Qty. 2 hangers
- Stainless steel back and side panels
- UV light fixture complete with on/off switch
- Minihelic gauge (0-250 kPa) to monitor load on HEPA filter
- ULPA filter 99.9995% efficient at 0.12 microns in lieu of HEPA filter
- Service valve on side panel L R Type: _____

Work Surface

- No work surface (standard)
- White polypropylene
- Stainless steel

Face Shield

- No face shield (standard)
- Vertical rising (CAW2/3/4 only)
- Hinged

Comments/Notes:

Customer Signature _____

Date _____