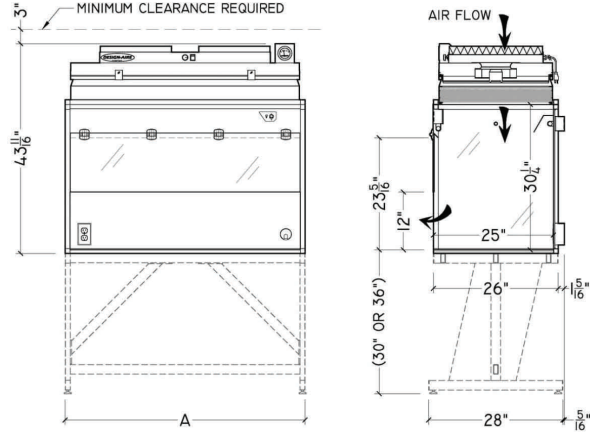




CLEAN AIR WORKSTATION—VERTICAL 115V

STANDARD FEATURES

- Provides better than ISO 5 conditions
- HEPA filter rated 99.99% efficient at 0.3 microns
- Constructed from white polypropylene and clear acrylic panels set into an anodized aluminum frame
- Fluorescent light fixture complete with on/off switch
- Variable speed motors complete with on/off switch
- Uniform airflow across filter face
- Pass-thru grommets on rear panel *



Model	Dimension "A"	Work Zone Dimensions WxDxH	BTU/hr	Electrical
<input type="checkbox"/> CAW2	26" (660)	24" x 25" x 30 1/4" (610x635x768)	498	1.27A, 115V, 50/60Hz
<input type="checkbox"/> CAW3	38" (965)	36" x 25" x 30 1/4" (914x635x768)	937	2.39A, 115V, 50/60Hz
<input type="checkbox"/> CAW4	50" (1270)	48" x 25" x 30 1/4" (1219x635x768)	952	2.43A, 115V, 50/60Hz
<input type="checkbox"/> CAW5	62" (1575)	60" x 25" x 30 1/4" (1524x635x768)	1,376	3.50A, 115V, 50/60Hz
<input type="checkbox"/> CAW6	75" (1905)	73" x 25" x 30 1/4" (1854x635x768)	1,873	4.77A, 115V, 50/60Hz
<input type="checkbox"/> CAW8	99" (2515)	97" x 25" x 30 1/4" (2464x635x768)	1,905	4.85A, 115V, 50/60Hz

Amps listed does not include optional UV fixtures

AVAILABLE OPTIONAL ACCESSORIES

Base Frames

- No base (standard)
- 30" sitting height complete with leg levellers
- 33 1/2" sitting height complete with casters
- 36" standing height complete with leg levellers
- 39 1/2" standing height complete with casters

Optional Accessories

- Stainless steel IV bar complete with Qty. 2 hangers
- Stainless steel back and side panels
- UV light fixture complete with on/off switch
- Minihelic gauge (0" to 1" w.g.) to monitor load on HEPA filter
- ULPA filter 99.9995% efficient at 0.12 microns in lieu of HEPA filter
- Service valve on side panel L R Type: _____

Work Surface

- No work surface (standard)
- White polypropylene
- Stainless steel

Face Shield

- No face shield (standard)
- Vertical rising (CAW2/3/4 only)
- Hinged

GFI Duplex Outlet

- | | |
|-------------------------------------|-------------------------------------|
| <u>Left Side</u> | <u>Right Side</u> |
| <input type="checkbox"/> Rear panel | <input type="checkbox"/> Rear panel |
| <input type="checkbox"/> Side panel | <input type="checkbox"/> Side panel |

*GFI duplex outlet installed in lieu of pass-thru grommet

Comments/Notes:

Customer Signature _____

Date _____